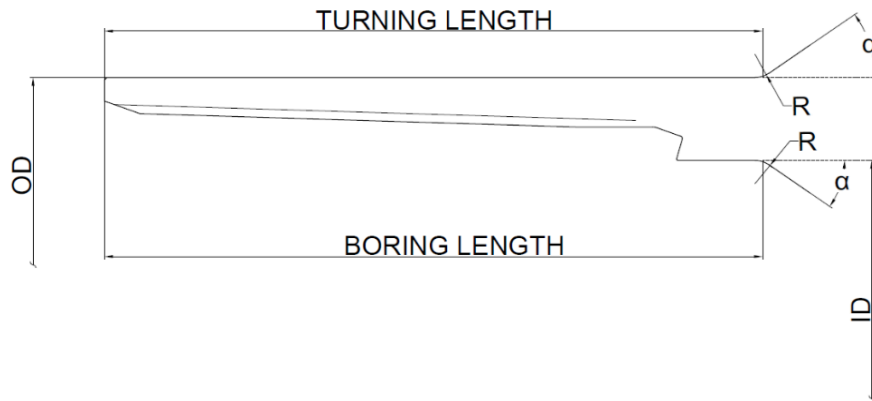


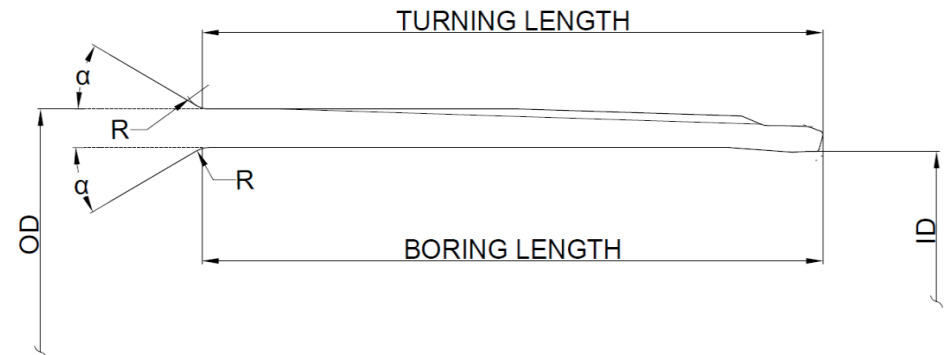
9⁵/₈ in 53.5 lb/ft

Clearance: Standard

Label	Pin/Box	OD [mm]	ID [mm]	Min. Turning Length [mm]	Min. Boring Length [mm]	OD [in]	ID [in]	Min. Turning Length [in]	Min. Boring Length [in]
9 ⁵ / ₈ in 53.5 lb/ft	BOX	269.50 ± 0.50	217.10 ± 0.20	162.50	162.50	10.610 ± 0.020	8.547 ± 0.008	6.398	6.398
	PIN	245.09 ± 1.83	218.20 ± 0.20	166.80	166.80	9.649 ± 0.072	8.591 ± 0.008	6.567	6.567



BOX



PIN

$$R_{\min} = 20 \text{ mm} = 0.79 \text{ in}$$

$$\alpha_{\min} = 30^\circ$$

